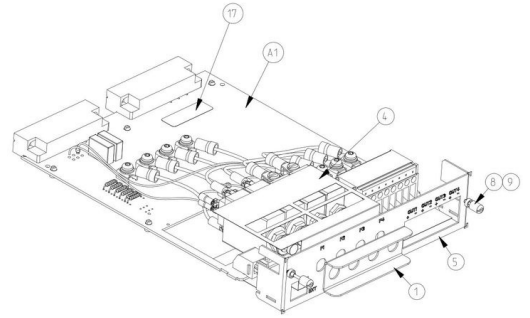


# ACE102 DIST CAN

DISTRIBUTION FOR ACE102 WITH CAN CONNECTOR



## Standard Part Numbers

**4004 120 00021:** Distribution for ACE102 with CAN connector

## Related Items

### Solution:

[ACE102FALP:](#) Low Profile Energy System